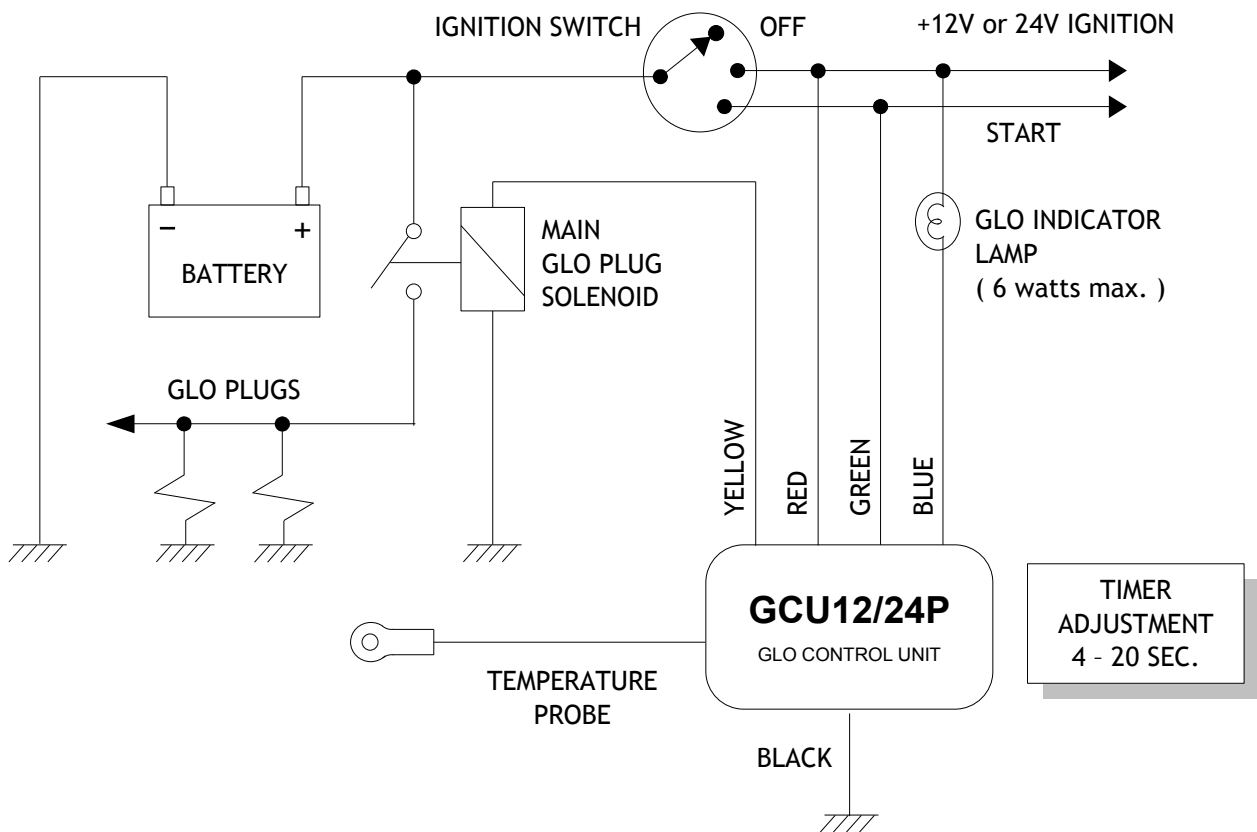




ANYTHING ELECTRONIC (NZ) LTD.

GLO CONTROL UNIT

Part No: GCU12/24P



INSTRUCTIONS

The **GCU-12/24P** is a multi voltage, temperature controlled, pulse after-glo control unit.

Make sure the time setting control (on side of timer) is turned fully anti-clockwise and wire the **GCU-12/24P** as shown. The temperature probe is mounted on the engine block via a convenient existing bolt. The lamp output (blue wire) switches to earth when the timer is activated. The yellow wire switches the current to the glo-plug solenoid, NOT to the glo-plugs directly.

The pulse time is factory set to 30 seconds at cold and is activated when cranking begins. For hot starting, the time periods are greatly reduced.

To set the pre heat time period, turn the control clockwise a few degrees, turn on the ignition and observe the glow of a plug removed from the engine and mounted externally. Repeat this process until the correct glow is obtained.

IMPORTANT! 20 seconds must be left between adjustments or else the timer will compensate for hot plugs and reduce its next time cycle.

NOTES: The **GCU-12/24P** is water resistant. Mount the unit in a dry position and away from possible steam cleaning spray. The adjust hole may be plugged with a sealer if this is likely to be a problem. Water entry to the unit may cause erratic operation and may destroy plugs.

Warranty statement on reverse.

ANYTHING ELECTRONIC (NZ) LTD.

7 Bullen Street, PO Box 273, Nelson, New Zealand

Phone : 03 548 5336 - Fax : 03 548 5636

Email : sales@anythingelectronic.co.nz