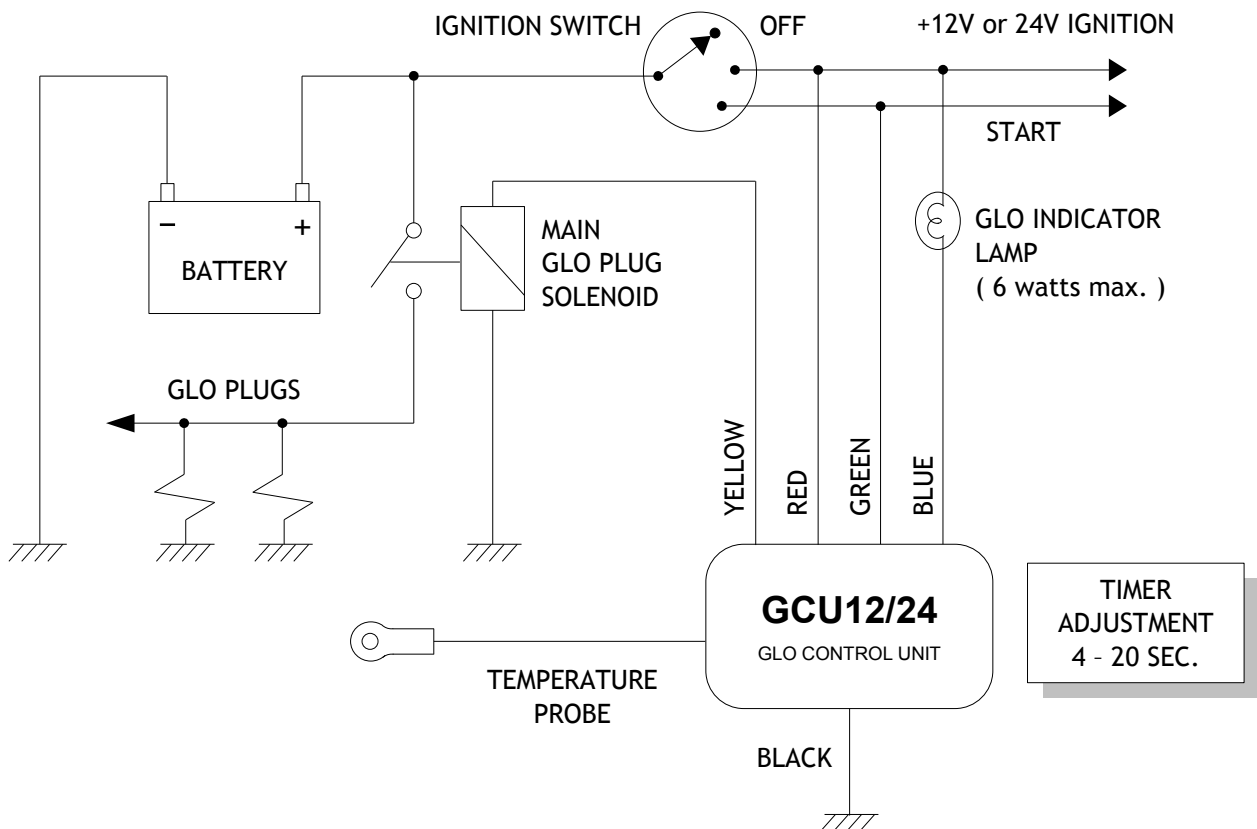




ANYTHING ELECTRONIC (NZ) LTD.

GLO CONTROL UNIT

Part No: GCU12/24



INSTRUCTIONS

The GCU-12/24 is a multi voltage, temperature controlled, glo control unit.

Make sure the time setting control (on side of timer) is turned fully anti-clockwise and wire the GCU-12/24 as shown. The temperature probe is mounted on the engine block via a convenient existing bolt. The lamp output (blue wire) switches to earth when the timer is activated. The yellow wire switches the current to the glo-plug solenoid, NOT to the glo-plugs directly.

To set the glo time period, turn the control clockwise a few degrees, turn on the ignition and observe the glow of a plug removed from the engine and mounted externally. Repeat this process until the correct glow is obtained. For hot starting, the time period is greatly reduced.

IMPORTANT!: 20 seconds must be left between adjustments or else the timer will compensate for hot plugs and reduce its next time cycle.

NOTES: The GCU-12/24 is water resistant. Mount the unit in a dry position and away from possible steam cleaning spray. The adjust hole may be plugged with a sealer if this is likely to be a problem. Water entry to the unit may cause erratic operation and may destroy plugs.

Warranty statement on reverse.

ANYTHING ELECTRONIC (NZ) LTD.

7 Bullen Street, PO Box 273, Nelson, New Zealand

Phone : 03 548 5336 - Fax : 03 548 5636

Email : sales@anythingelectronic.co.nz